

# FOX30-X

Switchmode power supply

# INDUSTRIAL / ITE

With interchangeable adapter system



## Description

FOX power supply units are smaller, more powerful and more efficient than their predecessors. FRIWO's new technical concept has again increased energy density. Thanks to a patented interchangeable adapter system, its devices are suitable for use under the toughest conditions and in the harshest environments. New: the optional IP42 adapter from FRIWO is an interchangeable adapter system that offers additional protection for use in damp environments.

Minimal leakage current means that FRIWO's power supply units are also ideally suited for use with measurement technologies, because they prevent unwanted influences that distort measured values. The FOX product family already meets the U.S. Department of Energy's stringent 2016 DOE energy-efficiency standards, which include stricter requirements regarding the efficiency and standby loss of power supply units. As a result, FRIWO already offers devices that exceed future statutory requirements, ensuring the worldwide use of your application. Choosing FOX today is an investment in the future, offering security tomorrow and beyond.

## Features

- High efficiency: up to 88 %
- Low no load power consumption < 100 mW
- Meets DoE efficiency level VI
- CoC version 5 ready
- Ultra-low leakage current  $\leq 10 \mu\text{A}$
- IEC 60950-1
- Wide operating temperature range 0 - 45°C
- Double housing safety: snapped & welded
- IP42 approved interchangeable plug system as additional accessories
- Also available as version with fixed plugs: FOX30-F

FRIWO Gerätebau GmbH  
 Von-Liebig-Straße 11  
 48346 Ostbevern  
 Deutschland

Tel. +49 2532 81-0  
 Fax +49 2532 81-112  
 E-Mail: [hello@friwo.com](mailto:hello@friwo.com)  
 Web: [www.friwo.com](http://www.friwo.com)

# FOX30-X

Switchmode power supply

# INDUSTRIAL / ITE

With interchangeable adapter system

## Model Selection: Output Specifications

Article no.	FW Type	Voltage	Current	Power	Ripple voltage*	Efficiency (typ)	No-Load Power
1898151	FW8030/5	5 V	5000 mA	25.0 W	150 mV pp	84.5 %	< 80 mW
1898152	FW8030/6	5.9 V	4200 mA	24.78 W	150 mV pp	85.0 %	< 90 mW
1898153	FW8030/8	7.5 V	4000 mA	30.0 W	150 mV pp	87.0 %	< 70 mW
1898154	FW8030/9	9 V	3300 mA	29.7 W	120 mV pp	87.2 %	< 80 mW
1898155	FW8030/12	12 V	2500 mA	30.0 W	120 mV pp	87.0 %	< 90 mW
1898156	FW8030/15	15 V	2000 mA	30.0 W	150 mV pp	87.5 %	< 100 mW
1898157	FW8030/18	18 V	1670 mA	30.06 W	180 mV pp	88.1 %	< 100 mW
1898158	FW8030/24	24 V	1250 mA	30.0 W	180 mV pp	87.8 %	< 100 mW
1898159	FW8030/48	48 V	625 mA	30.0 W	300 mV pp	87.5 %	< 100 mW

\* Ripple measured with 20MHz Bandwidth Oscilloscope and 0.1uF/50V ceramic capacitor and 10uF/50V aluminum electrolytic capacitor across the output terminal.

Input Specifications		General Specifications		
<b>Input voltage</b>	100-240 V ±10 %	<b>Operating temperature</b>	0..+45°C	
<b>Frequency</b>	50-60 Hz	<b>Operating humidity</b>	10..95 %	
<b>Input current</b>	600-300 mA	<b>Operating altitude</b>	3000 m	
<b>Inrush current (@240 V)</b>	< 50 A	<b>Storage temperature</b>	-40°C..+70°C	
<p>(1): based on calculations at 120 Vac/ 60 Hz &amp; 230 Vac/ 50 Hz, ambient 25°C and 100 % load</p> <p>(2): FRIWO interchangeable mains plug system: see Primary Adapters</p> <p>(3): FRIWO Universal output plug system: see Secondary Adapters</p>	<b>Storage humidity</b>	10..95 %	<b>Turn-on delay</b>	≤ 2 s
	<b>Non-operating altitude</b>	3000 m	<b>Hold-up time</b>	> 10 ms (120 V)
	<b>Atmospheric pressure</b>	70-106 kPa	<b>MTBF calculation</b>	> 50 ms (230 V)
	<b>Output voltage tolerance</b>	±5 %	<b>Housing material</b>	200.000 h acc.
	<b>Line regulation</b>	±1 %	<b>Dimensions</b>	Mil217F <sup>(1)</sup>
	<b>Load regulation</b>	±4 %	<b>Weight</b>	PC-ABS
			<b>AC input</b>	90x55x34 mm
		<b>DC output</b>	187 g	
			see page 5 <sup>(2)</sup>	
			see page 6 <sup>(3)</sup>	

# FOX30-X

Switchmode power supply

# INDUSTRIAL / ITE

With interchangeable adapter system

## Safety

<b>Safety standards</b>	IEC/EN/UL60950-1	<b>Flame class</b>	UL 94 V0
<b>Approbations</b>	Europe, USA, Australia, Japan	<b>IP code</b>	IP40 (IP42 adapters optionally available)
<b>Protection class</b>	II	<b>Overload protection</b>	Yes
<b>Isolation</b>	Input-Output 2x MOPP, Input-Ground 1x MOPP	<b>Overvoltage protection</b>	Yes
<b>Leakage Current</b>	≤ 10 µA	<b>Short circuit protection</b>	Yes

## EMC Compliance

<b>Conducted and radiated Emmissions</b>	EN55032, FCC15, Class B				
<b>Immunity</b>	EN55024				
<b>Harmonics</b>	EN61000-3-2	Class A			
<b>Flicker noise</b>	EN61000-3-3	Yes			
<b>ESD (contact / air)</b>	EN61000-4-2	8 kV / 15 kV	Criteria B 100 V	Criteria B 240 V	
<b>Immunity against radiated field</b>	EN61000-4-3	10 V/m	Criteria A 100 V	Criteria A 240 V	
<b>ETF / Burst</b>	EN61000-4-4	2 kV	Criteria B 100 V	Criteria B 240 V	
<b>Surge</b>	EN61000-4-5	2 kV / 2 kV	Criteria B 100 V	Criteria B 240 V	
<b>Immunity against conducted disturbances</b>	EN61000-4-6	10 V	Criteria A 100 V	Criteria A 240 V	
<b>Voltage dips</b>	EN61000-4-11	0 %	0.5 Cycle	Criteria B 100 V	Criteria A 240 V
		40 %	5 Cycle	Criteria B 100 V	Criteria B 240 V
		70 %	25 Cycle	Criteria B 100 V	Criteria B 240 V
		0 %	5 s	Criteria B 100 V	Criteria B 240 V
<b>Immunity against magnetic field</b>	EN61000-4-8	30 A/m	Criteria A 100 V	Criteria A 240 V	

# FOX30-X

Switchmode power supply

# INDUSTRIAL / ITE

With interchangeable adapter system

Drop Test		Vibration	
Standard	IEC 60068-2-32	Standard	IEC 60068-2-6
Surface	Steel	Frequency range	10–500 Hz
Drop height	1 m	Cross-over-frequency	58–62 Hz
Numbers of Drops (total)	3	Displacement amplitude	0.2 mm
		Peak acceleration	3 g
		Number of cycles	10 per axis

Mechanical Drawings	Output Characteristics
<p>Alle Abmessungen in Millimeter (Inch), Abweichung ± 0,5 (0.02) All Dimensions in Millimeter (Inch), Deviation ± 0,5 (0.02)</p>	<p>Alle Abmessungen in Millimeter (Inch), Abweichung ± 0,5 (0.02) All Dimensions in Millimeter (Inch), Deviation ± 0,5 (0.02)</p>

# FOX30-X

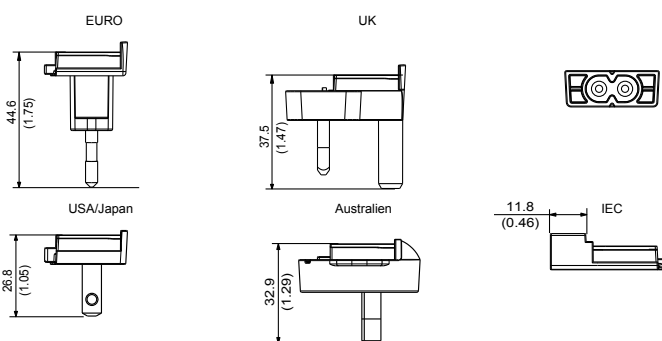
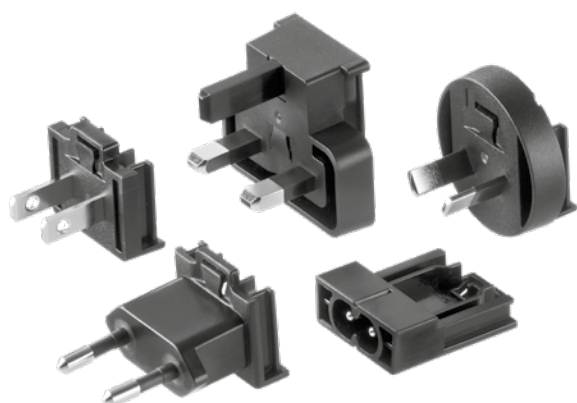
Switchmode power supply

# INDUSTRIAL / ITE

With interchangeable adapter system

## Primary Adapters

## Mechanical Drawings



Alle Abmessungen in Millimeter (Inch), Abweichung ± 0,5 (0.02)  
All Dimensions in Millimeter (Inch), Deviation ± 0.5 (0.02)

FOX	IPx0	IPx2	FOX	IPx0	IPx2	FOX	IPx0	IPx2
Country	Article no.	Article no.	Country	Article no.	Article no.	Country	Article no.	Article no.
EURO	1847556	1847618	IEC	1847552	–	IND 2-polig	1847547	–
UK	1847544	1847606	ARG	1847548	–	IND 3-polig	1847546	–
USA / JPN	1847554	1847604	BRA	1847551	–	KOR	1847545	–
AUS	1847553	1847624	CHN	1847550	–	ZAF	1847549	–

# FOX30-X

Switchmode power supply

# INDUSTRIAL / ITE

With interchangeable adapter system

## Secondary Adapters

Straight coaxial connectors				Angled coaxial connectors			
∅ out.	∅ in.	Length mm	Article no.	∅ out.	∅ in.	Length mm	Article no.
3.5	1.3	9.5	1807699	3.5	1.3	9.5	1822478
4.0	1.7	9.5	1822557	4.0	1.7	9.5	1822558
4.0	1.7	11.0	1811994	4.0	1.7	11.0	1822482
4.8	1.7	9.5	1822559	4.8	1.7	9.5	1822560
5.5	2.1	9.5	1807700	5.5	2.1	9.5	1822479
5.5	2.1	11.5	1807701	5.5	2.1	11.5	1822480
5.5	2.1	14.0	1807697	5.5	2.1	14.0	1822476
5.5	2.5	9.5	1807698	5.5	2.5	9.5	1822477
5.5	2.5	11.5	1807702	5.5	2.5	11.5	1822481
5.5	3.3	9.5	1822561	5.5	3.3	9.5	1822562
DIN 45323			1807703	DIN 45323			1822483

Straight jack connectors			Angled jack connectors		
∅ out.	Length mm	Article no.	∅ out.	Length mm	Article no.
2.5	13	1807704	2.5	13	1822484
3.5	14	1807705	3.5	14	1822485

Connectors / Sockets					
Model	Article no.	Model	Article no.	Model	Article no.
Texas connector		Texas sockets 2-pin		Texas sockets 3-pin	
Straight texas connector	1807706	Snap-in type	1323938	Snap-in type	1327259
Angled texas connector	1822486	PCB type	1321609	PCB type	1363506